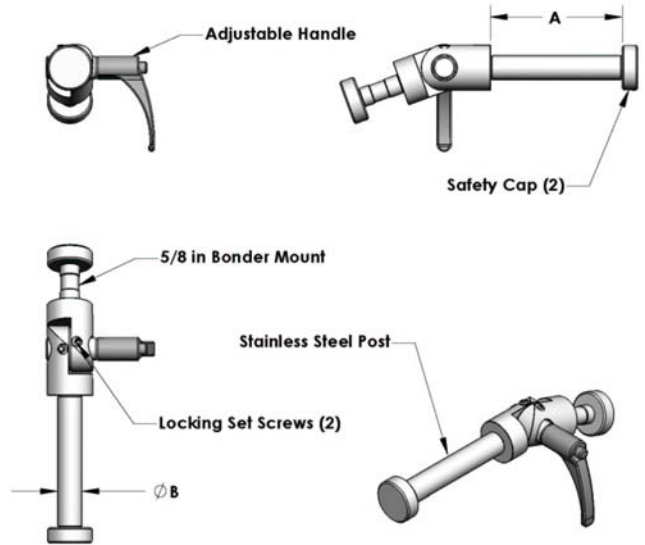
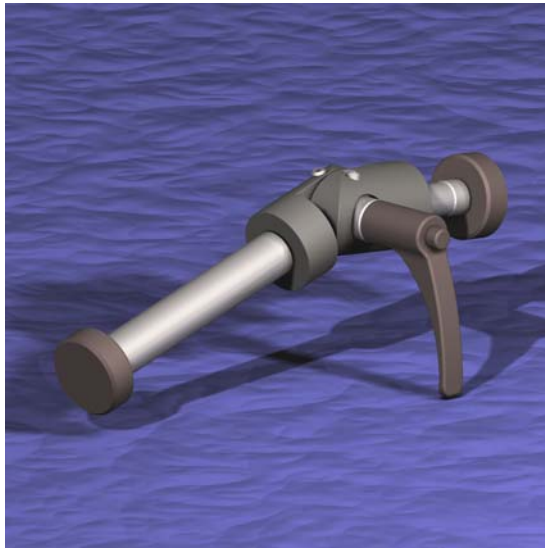
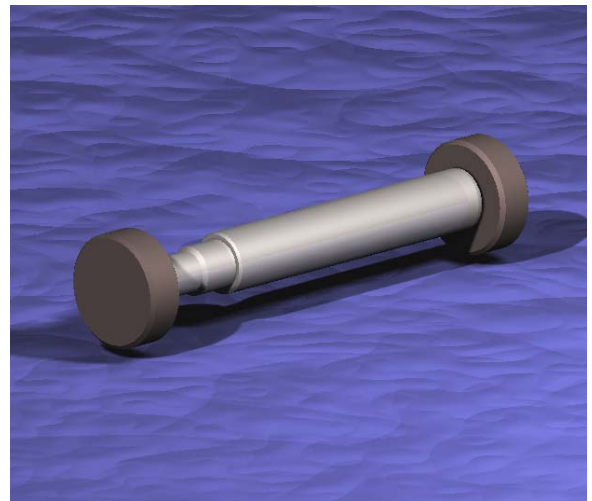
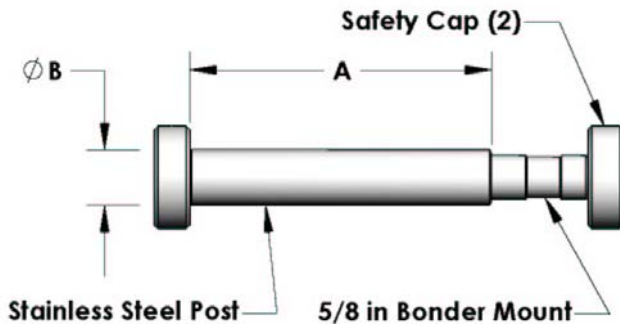


ACCESSORIES



Microscope Tilt Mounts

Part Number	Description	A (mm)	B (mm)
OSK20MM	Tilting mount with 20mm x 108mm stainless steel post, 5/8" bonder pin, 2 black anodized safety caps, and adjustable handle.	108	20
OSK25MM	Tilting mount with 24.5mm x 152mm stainless steel post, 5/8" bonder pin, 2 black anodized safety caps, and adjustable handle.	152	24.5
OSK30MM	Tilting mount with 30mm x 152mm stainless steel post, 5/8" bonder pin, 2 black anodized safety caps, and adjustable handle.	152	30
OSK32MM	Tilting mount with 32mm x 216mm stainless steel post, 5/8" bonder pin, 2 black anodized safety caps, and adjustable handle.	216	32



Microscope Fixed Mounts

Part Number	Description	A (mm)	B (mm)
OSSP20MM	Stainless steel post, 5/8" bonder pin, 2 black anodized safety caps.	108	20
OSSP25MM	Stainless steel post, 5/8" bonder pin, 2 black anodized safety caps.	152	24.5
OSSP30MM	Stainless steel post, 5/8" bonder pin, 2 black anodized safety caps.	152	30
OSSP32MM	Stainless steel post, 5/8" bonder pin, 2 black anodized safety caps.	216	32



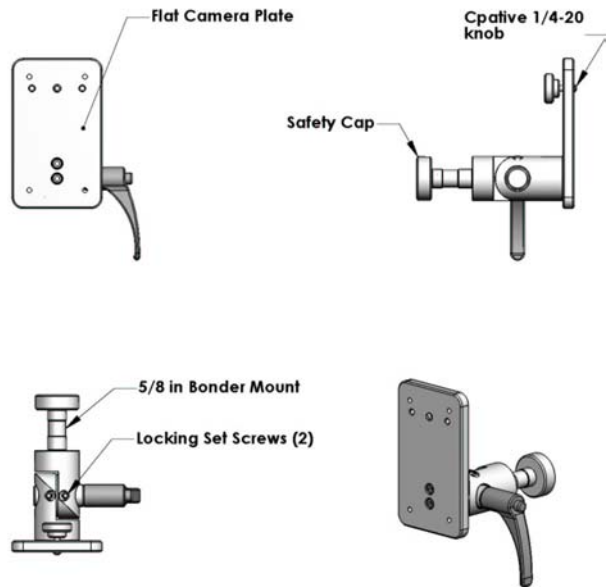
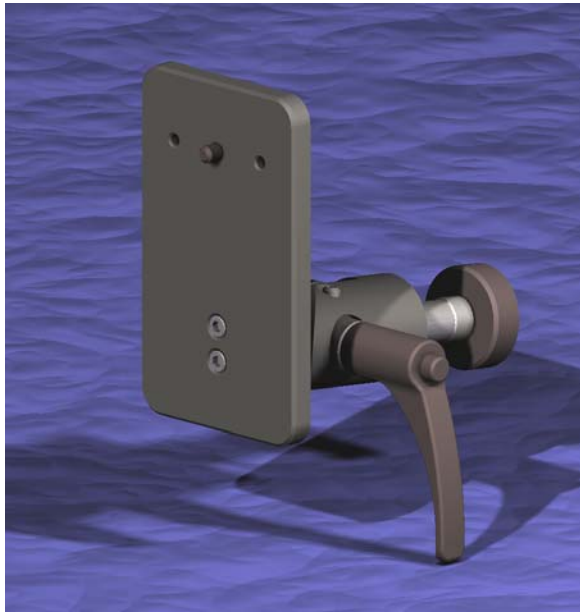
OLD SCHOOL INDUSTRIES, INC.

4678 Edie Place, Erie CO 80516

Phone: (303) 828-9093 FAX: (303) 828-9094

www.osi-incorp.com E-mail: info@osi-incorp.com

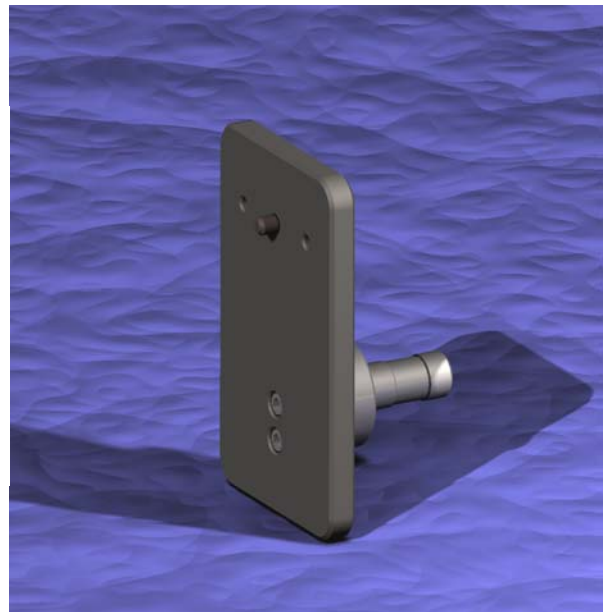
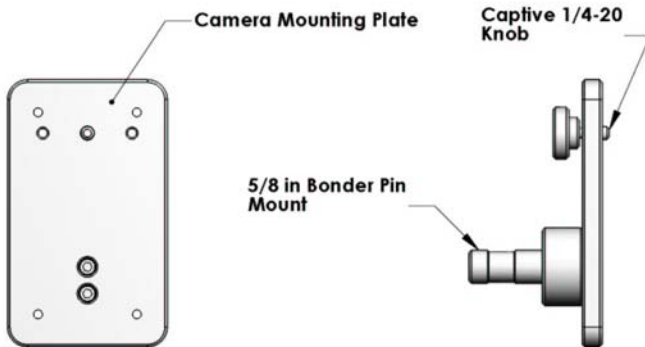
ACCESSORIES



Camera Tilt Mount

OSK22

Aluminum camera mounting plate with captive 1/4-20 knob, and one black anodized aluminum safety cap.



Camera Fixed Mount

OSF22

Aluminum camera mounting plate with captive 1/4-20 knob, and one black anodized aluminum safety cap.

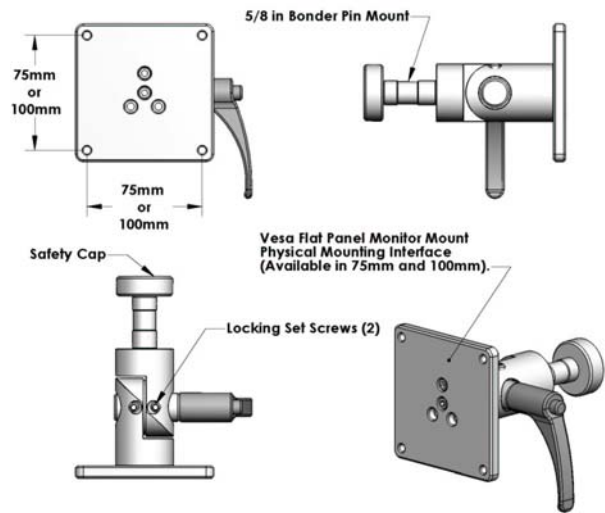
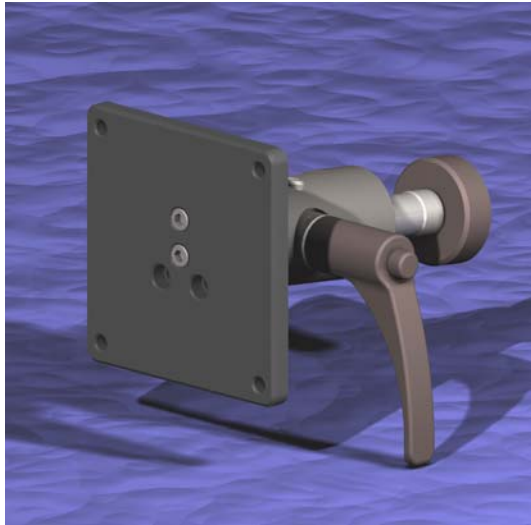


OLD SCHOOL INDUSTRIES, INC.

4678 Edie Place, Erie CO 80516

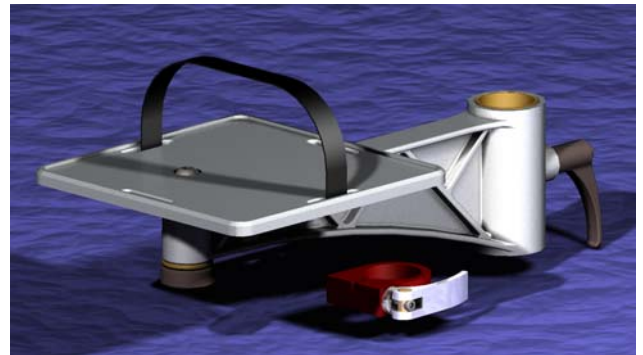
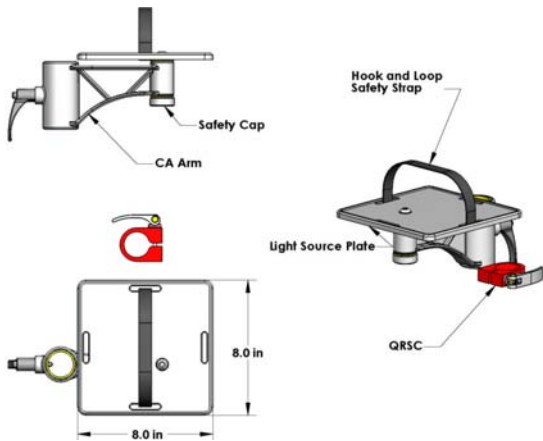
Phone: (303) 828-9093 FAX: (303) 828-9094

www.osi-incorp.com E-mail: info@osi-incorp.com



Flat Panel Monitor Tilt Mount

- OSK-V100 Aluminum VESA® Flat Panel Monitor Physical Mounting Interface™ Tilt Mount with 100mm x 100mm Standard Interface Pad, and one black anodized aluminum safety cap. Ideal for mounting a Flat Panel Monitor to OSI LA Lift articulating arm.
- OSK-V075 Aluminum VESA® Flat Panel Monitor Physical Mounting Interface™ Tilt Mount with 75mm x 75mm Standard Interface Pad, and one black anodized aluminum safety cap. Ideal for mounting a Flat Panel Monitor to OSI LA Lift articulating arm.



Lamp House Shelving

- OSLP0808 Aluminum plate and one black anodized aluminum safety cap with cast aluminum arm, includes double sided hook & loop strap and quick release safety clamp. Ideal uses include as mounting platform for fiber optic lamp house, as a tool shelf.

Assembly Number	Stand Specific Components	Common Components
OSLP0808-CA06	CA06	LP0808
OSLP0808-CA12	CA12	QRSC

