

## Universal Lens/Tube Collet to 1/4 -20 Flat

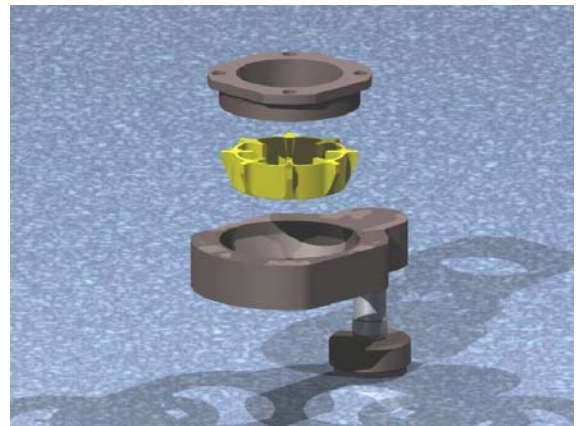
OSQT-2848

28 mm – 48 mm Collet System for mounting lenses and optic tubes to a flat with 1/4 -20 mounting hole. Includes 10 individual collets which will allow mounting of lenses and optic tubes from 28 mm to 48mm diameter.

## Universal Lens/Tube Collet to Fixed 5/8" Bonder Pin

OSF-2848

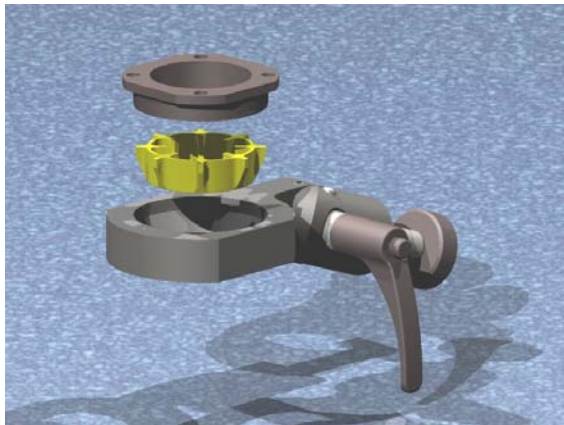
28 mm – 48 mm Collet System for mounting lenses and optic tubes with fixed 5/8" "Bonder" pin. Includes 10 individual collets which will allow mounting of lenses and optic tubes from 28 mm to 48mm diameter.



## Universal Lens/Tube Collet to Tilting 5/8" Bonder Pin

OSK-2848

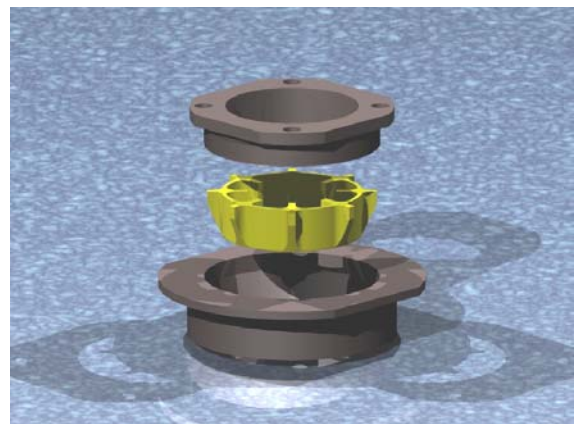
28 mm – 48 mm Collet System for mounting lenses and optic tubes with tilting 5/8" tilting "Bonder" pin. Includes 10 individual collets which will allow mounting of lenses and optic tubes from 28 mm to 48mm diameter.



## Universal Lens/Tube Collet to Microscope Focus Blocks

OSxxD-2848

28 mm – 48 mm Collet System for mounting lenses and optic tubes to various diameter (i.e. xx equals 76, 82, 83, 84 mm) stereomicroscope focus blocks. Includes 10 individual collets which will allow mounting of lenses and optic tubes from 28 mm to 48mm diameter.



OLD SCHOOL INDUSTRIES, INC.

4678 Edie Place, Erie CO 80516

Phone: (303) 828-9093 FAX: (303) 828-9094

www.osi-incorp.com E-mail: info@osi-incorp.com