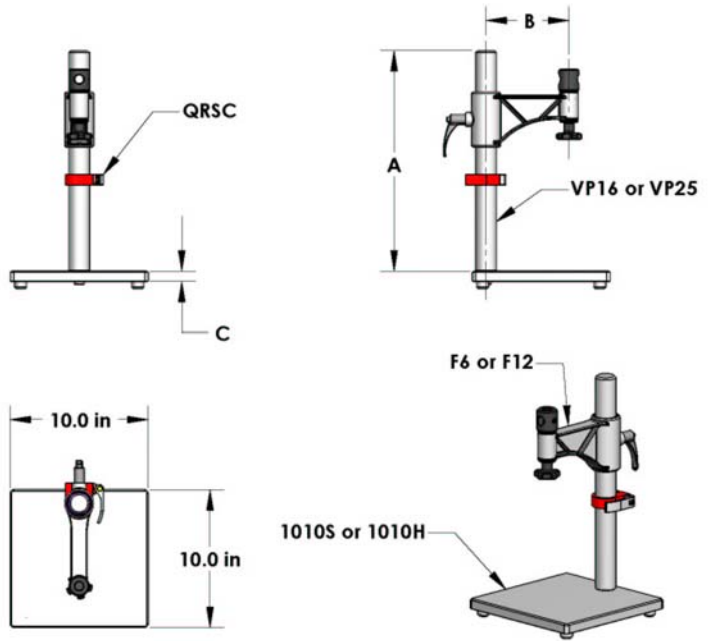
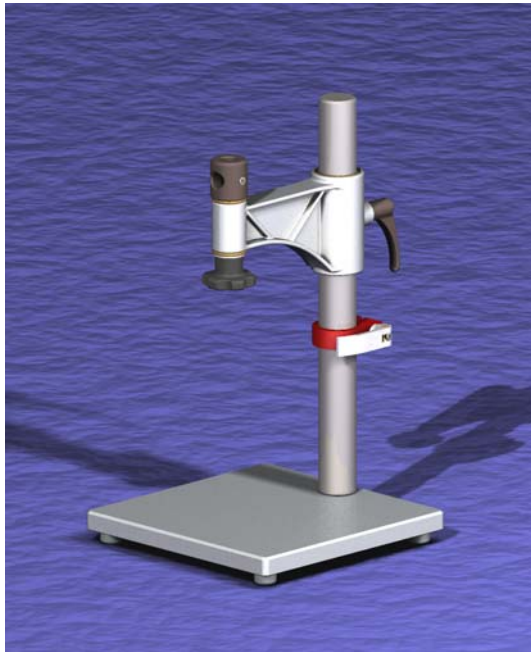


STANDARD & HEAVY STANDS



Fixed Arm Stand Components

- 1010S 10" x 10" x 3/4" powder coated steel base with four rubber feet, 21 lbs.
- 1010H 10" x 10" x 1 1/4" powder coated steel base with four rubber feet, 35 lbs.
- VP16 1 1/2" diameter x 16" long stainless steel vertical post drilled to accept 1/2-13 UNC bolt.
- VP25 1 1/2" diameter x 25" long stainless steel vertical post drilled to accept 1/2-13 UNC bolt.
- F6 6" reach Cast aluminum fixed distance boom. Allows rotation of "Bonder Pin" mounting holes to rotate around a vertical axis. Accepts the industry standard 5/8" "Bonder Pin" mounted end on, above or below the bar.
- F12 12" reach Cast aluminum fixed distance boom. Allows rotation of "Bonder Pin" mounting holes to rotate around a vertical axis. Accepts the industry standard 5/8" "Bonder Pin" mounted end on, above or below the bar.
- QRSC Red anodized aluminum safety clamp featuring a clear anodized aluminum quick release handle incorporating all stainless steel and brass hardware.

Assembly Number	A* (in)	B (in)	C (in)	Stand Specific Components	Common Components
OS1010S-16F6	16	6	3/4	F6	1010S VP16 QRSC
OS1010S-16F12		12		F12	
OS1010S-25F6	25	6	3/4	F6	1010S VP25 QRSC
OS1010S-25F12		12		F12	
OS1010H-16F6	16	6	1 1/4	F6	1010H VP16 QRSC
OS1010H-16F12		12		F12	
OS1010H-25F6	25	6	1 1/4	F6	1010H VP25 QRSC
OS1010H-25F12		12		F12	

* Custom length vertical posts available upon request.



OLD SCHOOL INDUSTRIES, INC.

4678 Edie Place, Erie CO 80516

Phone: (303) 828-9093 FAX: (303) 828-9094

www.osi-incorp.com E-mail: info@osi-incorp.com