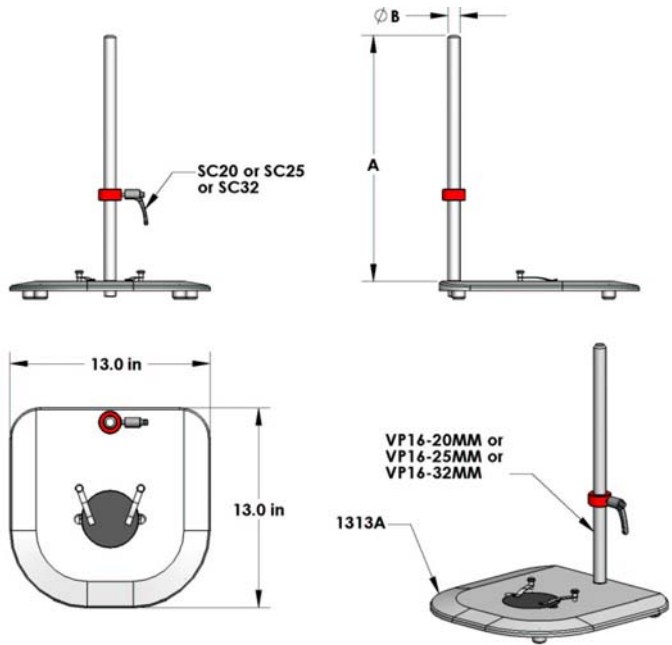
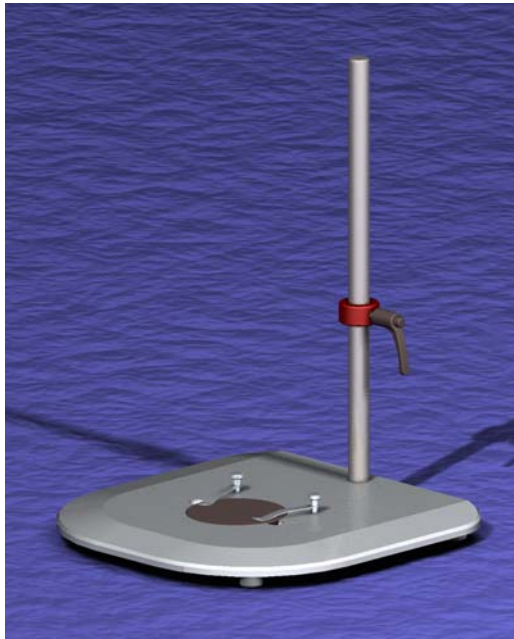


# ERGO ECONOMY STANDS



## Ergo Economy Stand Components

- 1313A Aluminum, powder coated base. Outside dimensions – 13” x 13” x 1/2 “ - 8 lbs.
- VP16-20 16 inch long x 20 mm diameter stainless steel vertical post drilled to accept a 1/2-13 UNC bolt.
- VP16-25 16 inch long x 24.5 mm diameter stainless steel vertical post drilled to accept a 1/2-13 UNC bolt.
- VP16-32 16 inch long x 32 mm diameter stainless steel vertical post drilled to accept a 1/2-13 UNC bolt.
- SC-20 Safety Ring for VP16-20, Red Anodized.
- SC-25 Safety Ring for VP16-25, Red Anodized.
- SC-32 Safety Ring for VP16-32, Red Anodized.

Assembly Number	A* (in)	B (mm)	Stand Specific Components	Common Components
OS1313A-20MM	16	20	VP16-20, SC-20	1313A
OS1313A-25MM		25	VP16-25, SC-25	
OS1313A-32MM		32	VP16-32, SC-32	
* Custom length vertical posts available upon request				



OLD SCHOOL INDUSTRIES, INC.  
 4678 Edie Place, Erie CO 80516  
 Phone: (303) 828-9093 FAX: (303) 828-9094  
 www.osi-incorp.com E-mail: info@osi-incorp.com