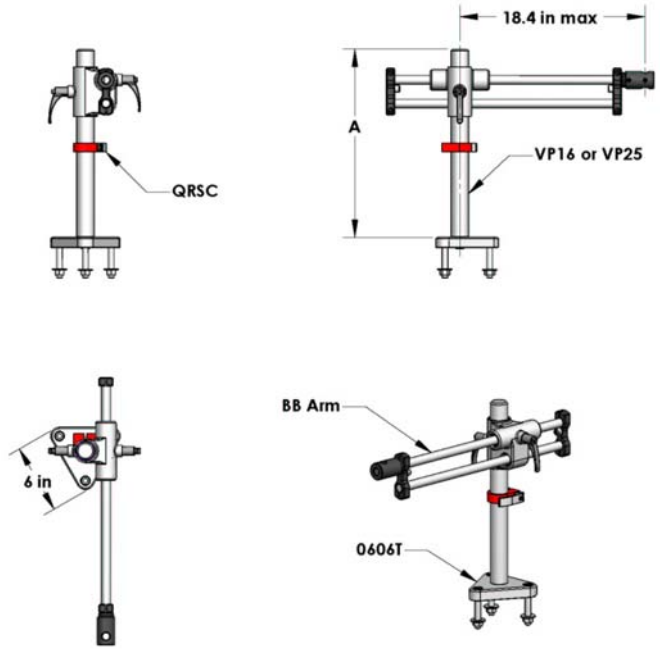
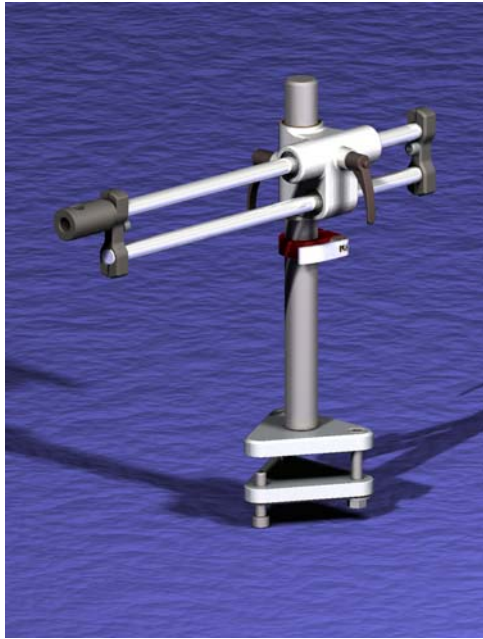


TABLE CLAMP STANDS



Ball Bearing Table Clamp Stand Components

- 0606C 6" face triangular aluminum base for clamping to a table top with two (2) 3" ½ -13 UNC socket head cap screws as spanner bolts which allow for a snug fit to any table thickness.
- VP16 1 ½" diameter x 16" long stainless steel vertical post drilled to accept ½-13 UNC bolt.
- VP25 1 ½" diameter x 25" long stainless steel vertical post drilled to accept ½-13 UNC bolt.
- BB Cast aluminum, powder coated cross block featuring bronze bushings for the vertical axis and Thomson® linear ball bearings and dual hardened stainless steel shafting for the horizontal axis. Includes industry standard 5/8" "Bonder Pin" hole for end on, above or below mounting. Total horizontal motion 12 ½".
- QRSC Red anodized aluminum safety clamp featuring a clear anodized aluminum quick release handle incorporating all stainless steel and brass hardware.

Part Number	A* (in)	Stand Specific Components	Common Components
OS0606C-16BB	16	VP16	0606C BB QRSC
OS0606C-25BB	25	VP25	
* Custom length vertical posts available upon request.			



OLD SCHOOL INDUSTRIES, INC.

4678 Edie Place, Erie CO 80516

Phone: (303) 828-9093 FAX: (303) 828-9094

www.osi-incorp.com E-mail: info@osi-incorp.com