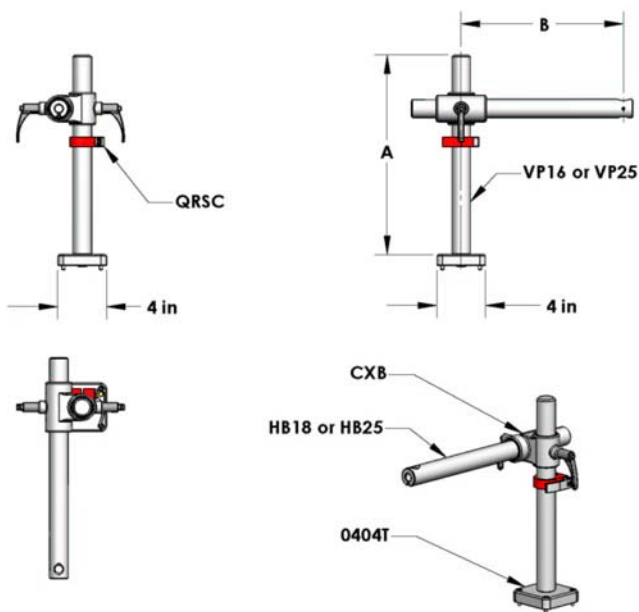
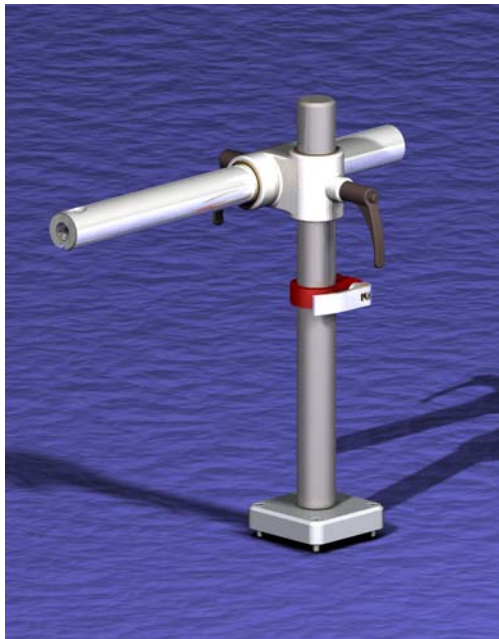


BREAD BOARD STANDS



Bread Board Stand Components

- 0404T 4" x 4" x 3/4" powder coated aluminum base for standard optical bench breadboard with 1/4-20 clearance holes on 1" centers. Includes four (4) stainless steel 1/4-20 screws.
- VP16 1 1/2" diameter x 16" long stainless steel vertical post drilled to accept 1/2-13 UNC bolt.
- VP25 1 1/2" diameter x 25" long stainless steel vertical post drilled to accept 1/2-13 UNC bolt.
- HB18 1 1/2" diameter x 18" long keyed anodized aluminum horizontal bar w/ industry standard 5/8" "Bonder Pin" hole for end on, above or below mounting.
- HB25 1 1/2" diameter x 25" long keyed anodized aluminum horizontal bar w/ industry standard 5/8" "Bonder Pin" hole for end on, above or below mounting.
- QRSC Red anodized aluminum safety clamp featuring a clear anodized aluminum quick release handle incorporating all stainless steel and brass hardware.
- CXB Cast aluminum, powder coated cross block with bronze bushings and adjustable handles.

Assembly Number	A* (in)	B (in)	Stand Specific Components	Common Components
OS0404T-1618	16	14.75	VP16, HB18	0404T CXB QRSC
OS0404T-1625	16	21.75	VP25, HB18	
OS0404T-2518	25	14.75	VP16, HB25	
OS0404T-2525	25	21.75	VP25, HB25	
* Custom length vertical posts available upon request.				



OLD SCHOOL INDUSTRIES, INC.

4678 Edie Place, Erie CO 80516

Phone: (303) 828-9093 FAX: (303) 828-9094

www.osi-incorp.com E-mail: info@osi-incorp.com