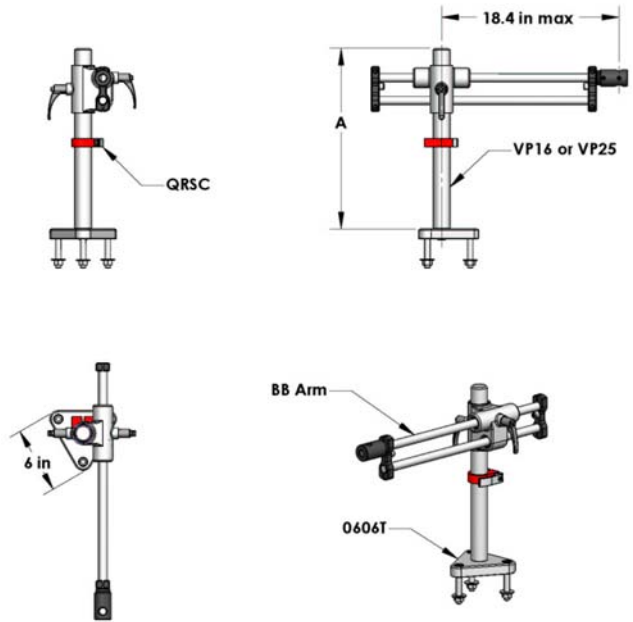
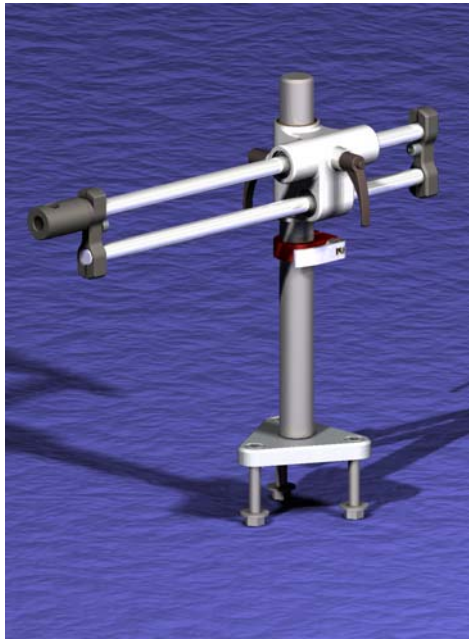


TABLE MOUNT STANDS



Ball Bearing Arm Table Mount Stand Components

- 0606T 6" face triangular aluminum base for mounting to a table top. Includes three (3) 3" x 1/2 -13 UNC bolts, nuts, washers.
- VP16 1 1/2" diameter x 16" long stainless steel vertical post with a 1/2-13 UNC mounting bolt.
- VP25 1 1/2" diameter x 25" long stainless steel vertical post with a 1/2-13 UNC mounting bolt.
- BB Cast aluminum, powder coated cross block featuring bronze bushings for the vertical axis and Thomson® linear ball bearings and dual hardened stainless steel shafting for the horizontal axis. Includes industry standard 5/8" "Bonder Pin" hole for end on, above or below mounting. Total horizontal motion 12 1/2".
- QRSC Red anodized aluminum safety clamp featuring a clear anodized aluminum quick release handle incorporating all stainless steel and brass hardware.

Assembly Number	A* (in)	Stand Specific Components	Common Components
OS0606T-16BB	16	VP16	0606T
OS0606T-25BB	25	VP25	BB QRSC
* Custom length vertical posts available upon request.			

