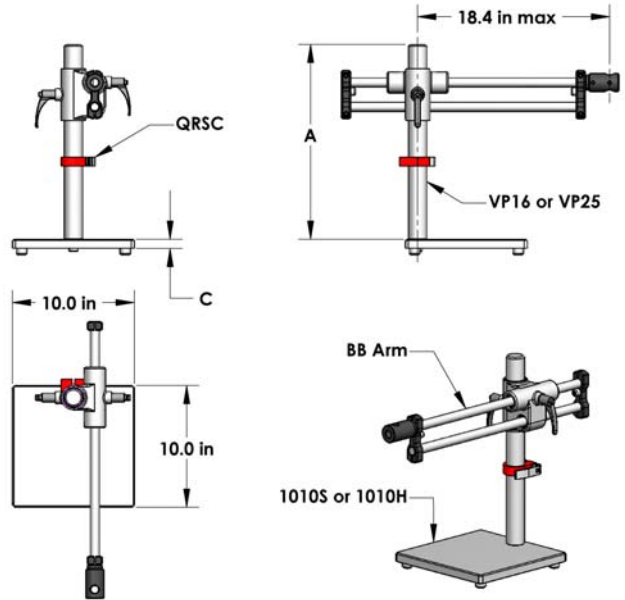
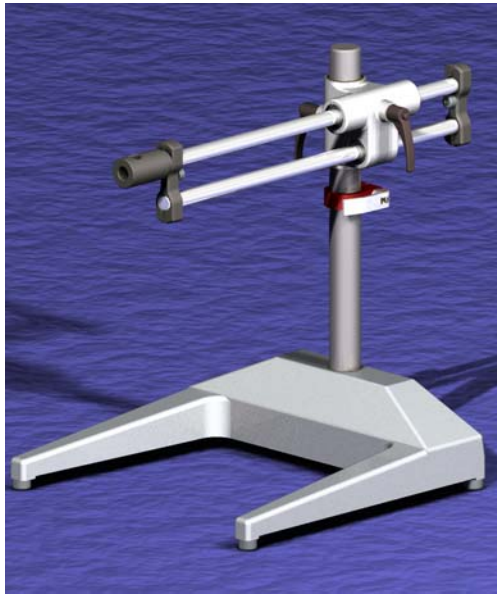


# U-BASE STANDS



## Ball Bearing U-Base Stand Components

- 1616U 16" x 16" powder coated cast aluminum base with four rubber feet, 8 lbs.
- VP16 1 ½" diameter x 16" long stainless steel vertical post drilled to accept ½-13 UNC bolt.
- VP25 1 ½" diameter x 25" long stainless steel vertical post drilled to accept ½-13 UNC bolt.
- BB Cast aluminum, powder coated cross block featuring bronze bushings for the vertical axis and Thomson® linear ball bearings and dual hardened stainless steel shafting for the horizontal axis. Includes industry standard 5/8" "Bonder Pin" hole for end on, above or below mounting. Total horizontal motion 12 ½".
- QRSC Red anodized aluminum safety clamp featuring a clear anodized aluminum quick release handle incorporating all stainless steel and brass hardware.

Assembly Number	A* (in)	B (in)	Stand Specific Components	Common Components
OS1616U-16BB	16	¾	VP16	1616U BB
OS1616U-25BB	25	¾	VP25	QRSC
* Custom length vertical posts available upon request.				



OLD SCHOOL INDUSTRIES, INC.

4678 Edie Place, Erie CO 80516

Phone: (303) 828-9093 FAX: (303) 828-9094

www.osi-incorp.com E-mail: info@osi-incorp.com